

Reader

Kaba remote reader

Description

The remote reader is an access system that triggers an opening pulse once an authorised media has been identified. The reader remote consists of a registration unit installed at the identification point. The separate control unit can be fitted at a location safe from sabotage and is connected to the registration unit by a coaxial data cable.

Product numbers

1356MID/options

Kaba remote reader, Mifare

Scope of supply

1 Kaba remote reader control unit

Option:

1 Kaba registration unit



Versions

- Registration unit in different colours
- Several protection class and dimensions (see Order options)

Order options

Options	
Line (LINE)	
e300	
Registration unit	
401	SL - RFID - flush mounting
402	SL - RFID - surface mounting
410	Print - RFID
411	Feller white - IP40 flush mounting
413	Feller white - IP55 flush mounting
414	Feller white - IP55 surface mounting
415	LA-PC

Order example

Product no. / options

- 1356MID/e300/414
- Kaba remote reader
- Line: e300
- Installation: Feller white - IP55 surface mounting

Reader

Technical specifications 1356MID/e300/

Kaba remote reader control unit

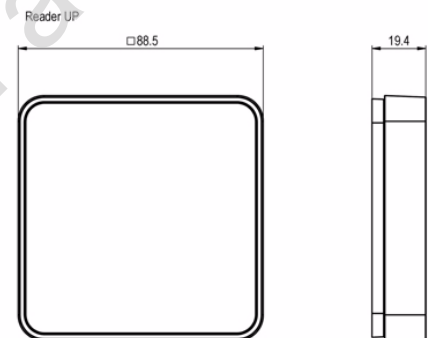
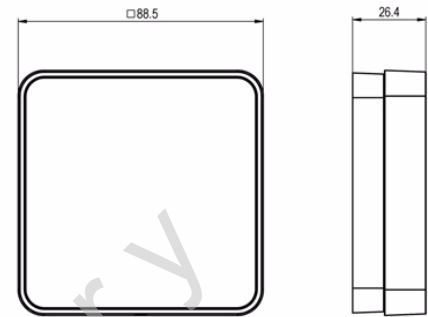
Dimensions	
WxHxD	70 x 105 x 45 mm
Colour	black
Power supply	
Supply	External 12 - 24 V AC/DC
1 x relay output	30 V AC/DC, max. 2 A, changeover contact
1 x digital input	for isolated contact
Environmental requirements	
Protection class	IP20
Temperature	-25 - 70 °C
Humidity	0 - 95 %rH, not condensing
Installation	
Control unit	Standard 35 mm T-rail (DIN 50022)
Connection to the registration unit	Coaxial cable RG174/U max. cable length 30 m

Preliminary

Technical specifications 1356MID/e300/401 and 402

Kaba registration unit SL - RFID

Dimensions	
WxHxD / 401	88.5 x 88.5 x 19.4 mm
WxHxD / 402	88.5 x 88.5 x 26.4 mm
Colour	black/silver
Environmental requirements	
Protection class	IP40 1356MID/e300/402 IP54 1356MID/e300/401 with sealing
Temperature	-25 - 70 °C
Humidity	0 - 95 %rH, not condensing
Installation	
Registration unit	401 flush mounting 402 surface mounting



Technical specifications 1356MID/e300/410

Kaba registration unit print

Dimensions	
WxHxD / 410	70 x 70 x 20 mm
Environmental requirements	
Protection class	IP00
Temperature	-25 - 70 °C
Humidity	0 - 95 %rH, not condensing
Installation	
Registration unit	Covers from other providers

Covers from other providers

The following covers are suitable for installing the Kaba registration unit (PBC).

Provider	Type
Amacher	Basico Domino
Busch-Jäger	-
Feller	ediziodue plug-in
Gira	E2 Event Area S-Colour Standard
Jung	CD 500 CD Play ST 550
Legrand	Diplomat

Technical specifications 1356MID/e300/411

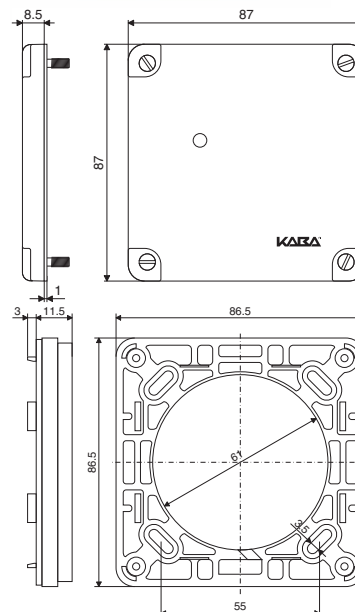
Kaba registration unit Feller white - IP40 flush mounting

Dimensions	
WxHxD / 411	87.5 x 87.5 x 20 mm
Colour	white
Environmental requirements	
Protection class	IP40
Temperature	-25 - 70 °C
Humidity	0 - 95 %rH, not condensing
Installation	
Registration unit	411 flush mounting

**Technical specifications 1356MID/e300/413**

Kaba registration unit Feller white - IP55 flush mounting

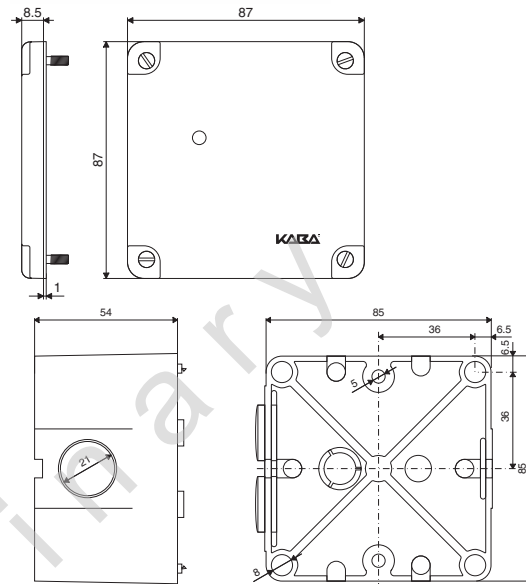
Dimensions	
WxHxD (flush)	87 x 87 x 20 mm
Colour	white
Environmental requirements	
Protection class	IP55
Temperature	-25 - 70 °C
Humidity	0 - 95 %rH, not condensing
Installation	
Registration unit	413 flush mounting



Technical specifications 1356MID/e300/414

Kaba registration unit Feller white - IP55 surface mounting

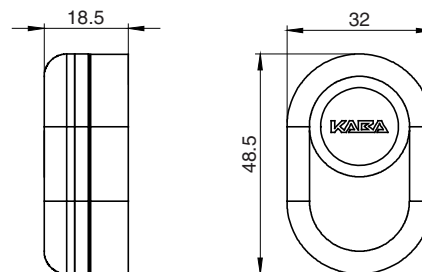
Dimensions	
WxHxD / 414	87 x 87 x 63 mm
Colour	white
Environmental requirements	
Protection class	IP55
Temperature	-25 - 70 °C
Humidity	0 - 95 %rH, not condensing
Installation	
Registration unit	414 surface mounting



Technical specifications 1356MID/e300/415

Kaba registration unit LA-PC

Dimensions	
WxHxD / 415	32 x 48.5 x 18.5 mm
Colour	black
Environmental requirements	
Protection class	IP55
Temperature	-25 - 70 °C
Humidity	0 - 95 %rH, not condensing
Installation	
Registration unit	415 surface mounting



Kaba compact reader

Description

The Kaba compact reader is an access system that triggers an opening pulse once an authorised media has been identified. The Kaba compact reader can be operated by the Kaba reader power supply or by an external supply.



Product numbers

1357MID/options

Kaba compact reader, Mifare

Scope of supply

1 Kaba compact reader

Versions

- Several protection class and installations

Order options

Options	
Line (LINE)	
e300	
Variant	
401	SL - RFID - flush mounting
402	SL - RFID - surface mounting

Order example

Product no. / options

1357MID/e300/402

Kaba compact reader

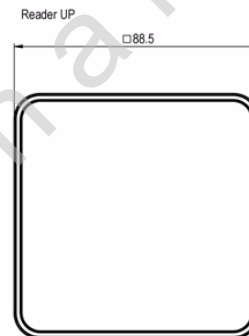
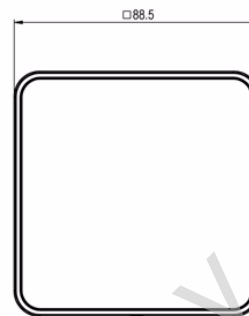
Line: e300

Installation: Surface mounting

Reader

Technical specifications

Reader dimensions	
WxHxD / 401	88.5 x 88.5 x 19.4 mm
WxHxD / 402	88.5 x 88.5 x 26.4 mm
Power supply	
Supply	External 12 - 24 V AC/DC
1 x relay output	30 V AC/DC, max. 2 A, changeover contact
1 x digital input	for isolated contact
Environmental requirements	
Protection class	IP40 1357MID/e300/402 IP54 1357MID/e300/401 with sealing
Temperature	-25 - 70 °C
Humidity	0 - 95 %rH, not condensing
Installation	
Reader	401 flush mounting 402 surface mounting



Preliminary

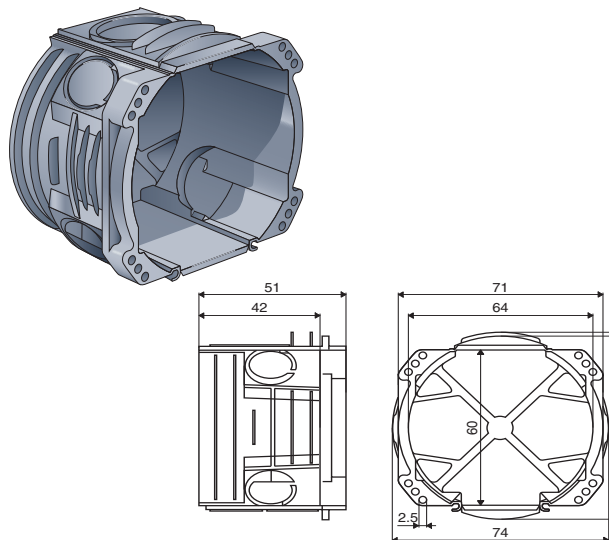
Accessories

Kaba reader

Product numbers

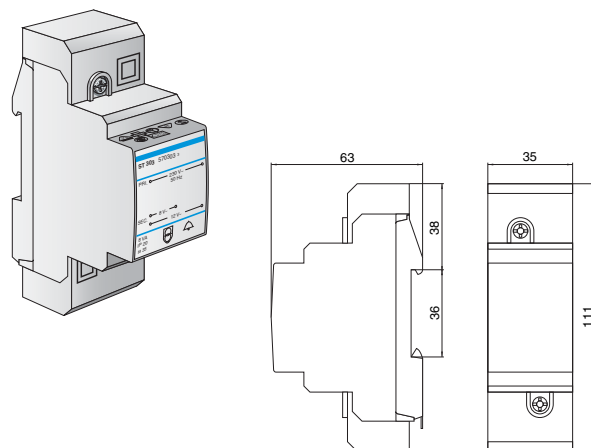
1355-2

Wall outlet



1355R-1

Power supply 230 VAC/12 AC, 8 VA



1355K

Coaxial cable RG174/U (Reel of 100 m)



1355-21

Sabotage protected fixation bolts

